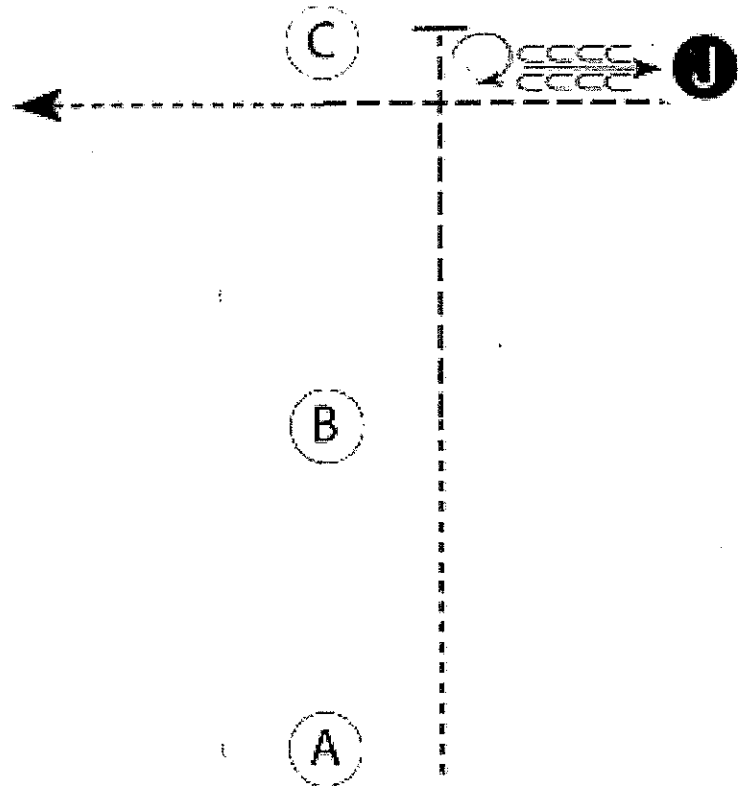


2018 SUSSEX COUNTY HORSE SHOW

Local Day – August 5, 2018

Showmanship – All Youth



Be Ready at A

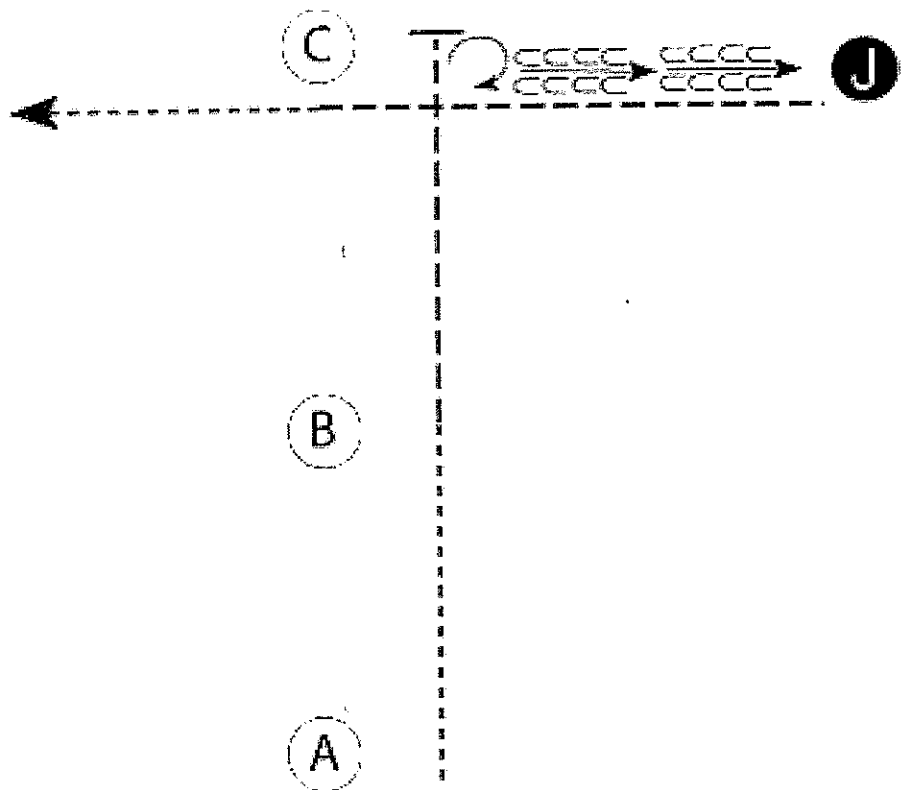
1. Walk to B
2. Jog to C
3. Stop and perform a 270 degree turn
4. Back 4 steps
5. Stop and set up for inspection
6. When dismissed jog away to C
7. At C walk straight away

Walk	-----
Trot	- - - - -
Back	← 3 3 3 3
Marker	⊙ B
Judge	● J

2018 SUSSEX COUNTY HORSE SHOW

Local Day – August 5, 2018

Showmanship – All Adult



Be Ready at A

1. Walk to B
2. Jog to C
3. Stop and perform a 270 degree turn
4. Back 2 horse lengths
5. Stop and set up for inspection
6. When dismissed jog away to C
7. At C walk straight away

Walk -----

Trot - - - - -

Back ← ---
→ ---

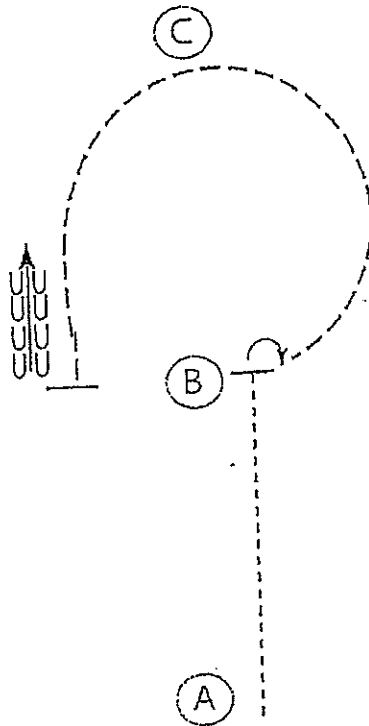
Marker ○ B

Judge ● J

2018 Sussex County Horse Show

Local Day – August 5, 2018

Horsemanship – 11 & U, Limited Youth, Limited Adult



Be ready at A.

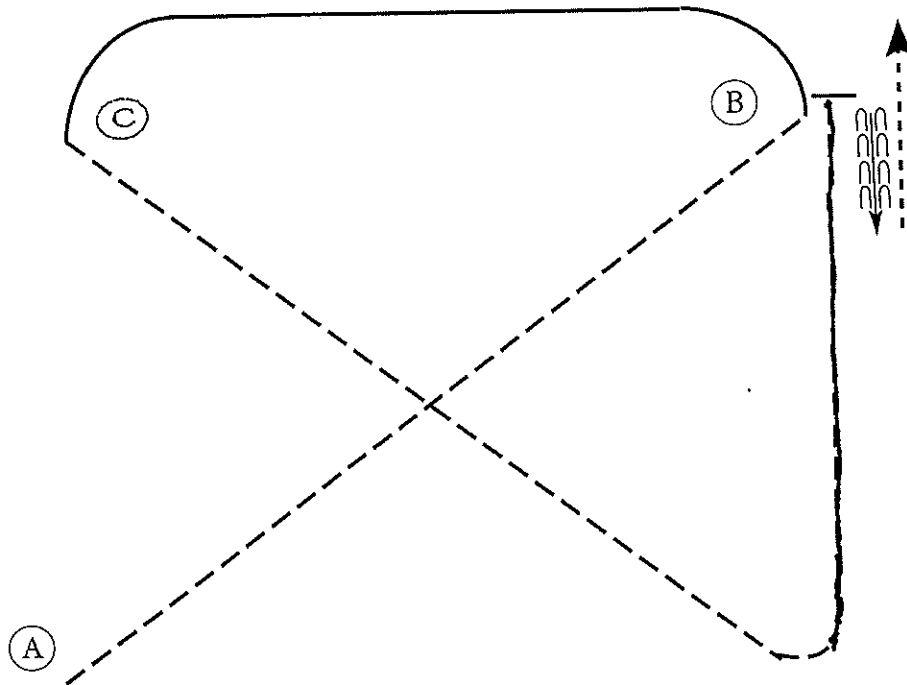
1. Walk A to B.
2. At B, perform a 90 degree turn to the right.
3. Jog a circle around B. Keep circle to inside of C.
4. At B, stop and back 4 steps.

Walk	-----
Jog	- - - - -
Extended Jog	-----
Lope	=====
Lead Change	
Back	
Marker	(B)

2018 Sussex County Horse Show

Local Day – August 5, 2018

Horsemanship – Youth All Ages W/J/L



Be Ready at A

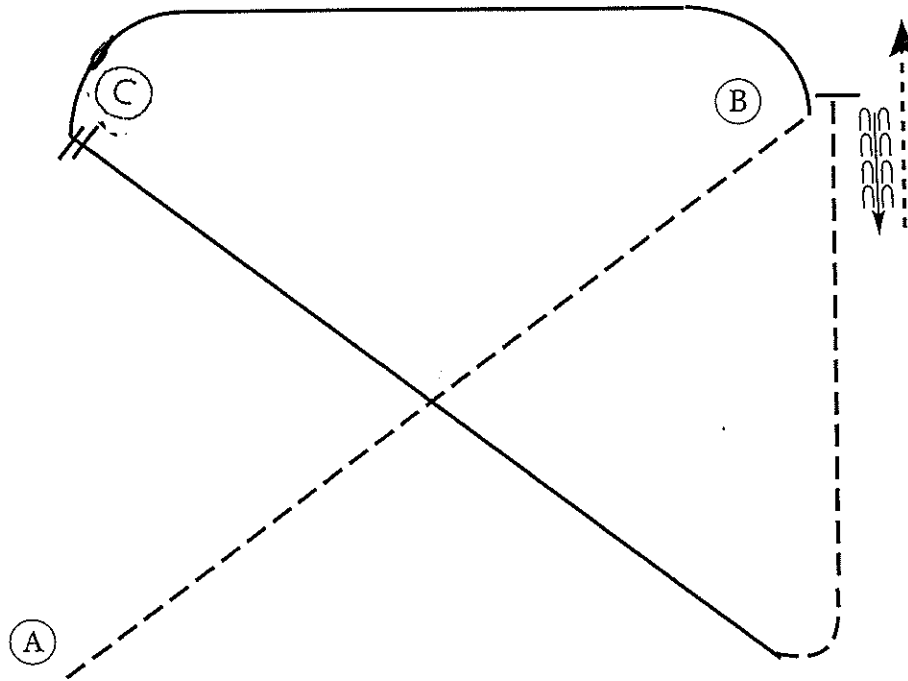
1. Jog A to B
2. At B Lope Left lead across and around C
3. At C jog back across arena
4. Lope Right lead back to B
5. Stop and back 4 steps
6. Walk out of arena

Walk	-----
Trot	- - - - -
Extended Trot	-----
Canter	=====
Leg Yield	
Lead Change	— / —
Back	← ← ← ← ←
Marker	⊙ B
Sidepass	← ← ← ← ←
Hand Gallop	-----

2018 Sussex County Horse Show

Local Day – August 5, 2018

Horsemanship – Adult WJL/Open WJL

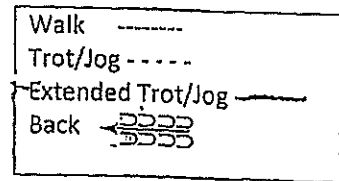
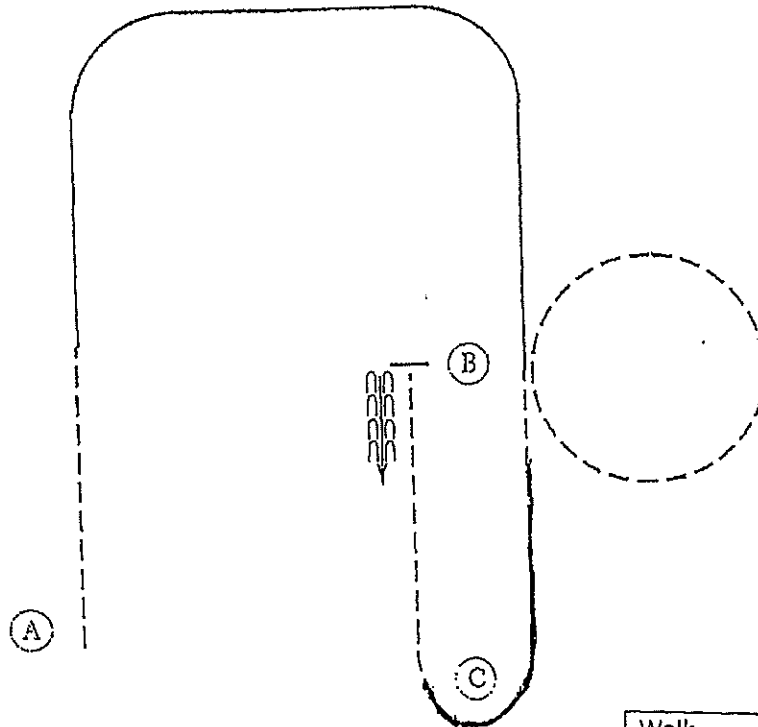


Be Ready at A

1. Jog A half way to B then extend Jog to B
2. At B Lope Left lead across and around C
3. At C simple lead change across arena
4. Jog back to B
5. Stop and back 4 steps
6. Walk out of arena

Walk	-----
Trot	- - - - -
Extended Trot	— — — —
Canter	—————
Leg Yield	
Lead Change	— / —
Back	← 3333 ← 5555
Marker	(B)
Sidepass	← — — — ←
Hand Gallop	— — — —

2018 Sussex County Horse Show
Local Day – August 5, 2018
Horsemanship – Open Walk/Jog



Be Ready at A

Western Riders

1. Jog ½ way equal to B
2. Extending the jog to B
3. At B jog circle to left on correct diagonal
4. Extended jog to and around C
5. Jog to B
6. Stop and Back