

2019 SCHS OPEN BREED  
SHOW SERIES

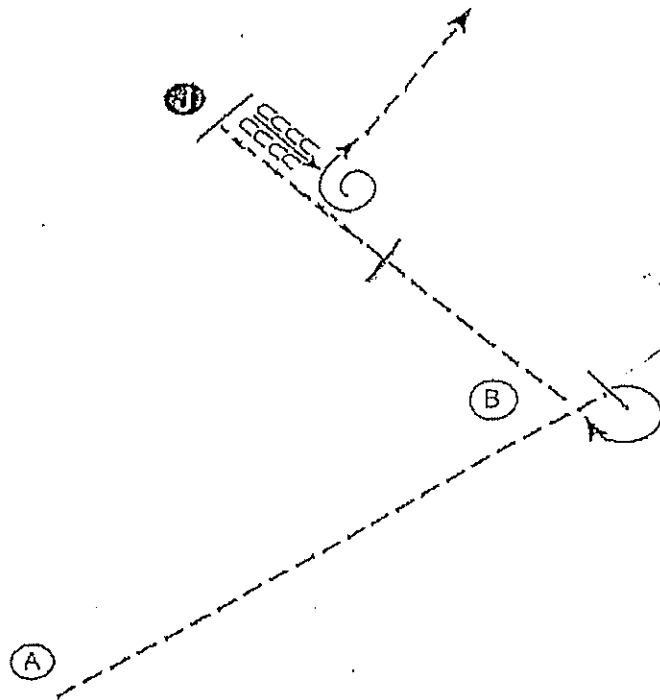
SHOW 4

SEPTEMBER 8, 2019

---

2019 SCHS OPEN BREED SHOW SERIES – SHOW #4  
 SHOWMANSHIP – ADULT  
 ENGLISH/WESTERN  
 Classes 5 & 11

September 8, 2019



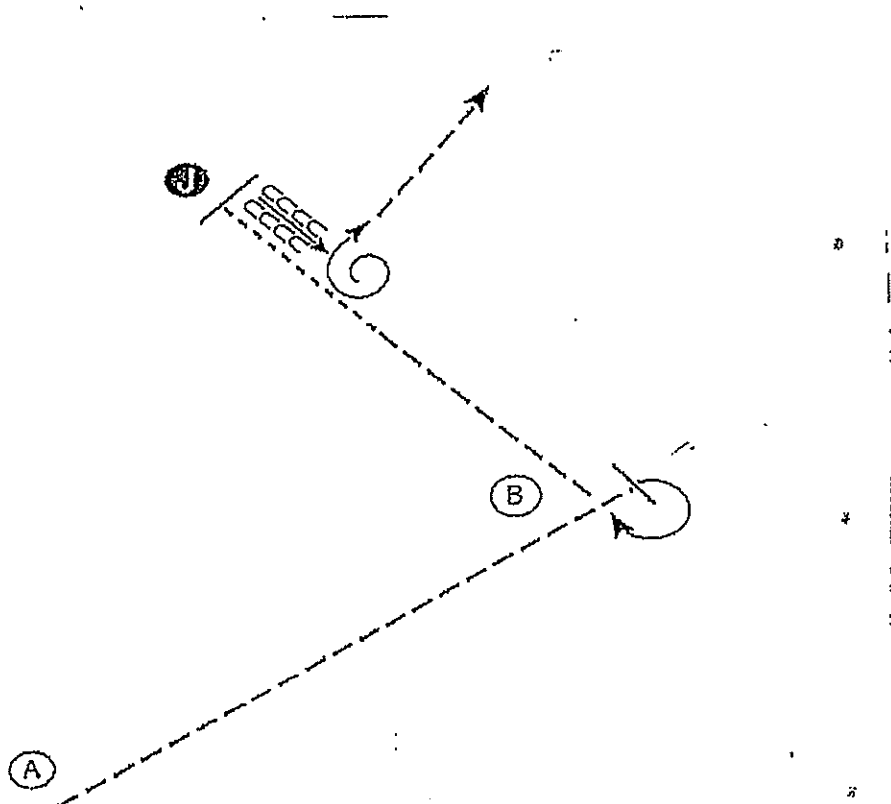
Be Ready at A

1. Begin at A trot past B and Stop
2. Perform a 270 degree turn
3. Trot half way to judge
4. Stop then continue to trot to judge
5. Set up for inspection
6. When dismissed back one horse length
7. Perform a 450 degree turn and trot away to Exit

Walk	-----
Trot	—————
Back	← 3333 3333
Marker	ⓑ
Judge	Ⓧ

**2019 SCHS OPEN BREED SHOW SERIES – SHOW #4**  
**SHOWMANSHIP – YOUTH 14&U; 15-18**  
**ENGLISH/WESTERN**  
**Classes 6, 7, 12 AND 13**

September 8, 2019

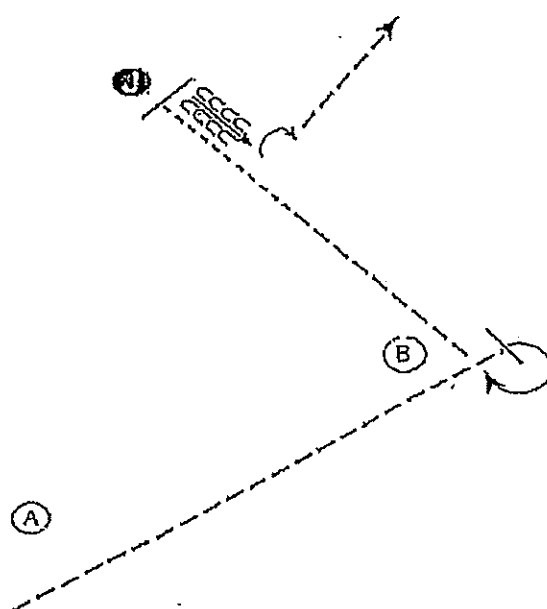


1. Begin at A. Trot past B and stop
2. Perform a 270 degree turn
3. Trot halfway to the Judge
4. Break to the walk and walk to the Judge
5. Stop and set up for inspection
6. When dismissed back one horse length
7. Perform a 450 degree turn and trot to the line-up

- |        |                 |
|--------|-----------------|
| Walk   | -----           |
| Trot   | -----<br>~~~~~  |
| Back   | ←~~~~~<br>~~~~~ |
| Marker | (B)             |
| Judge  | (J)             |

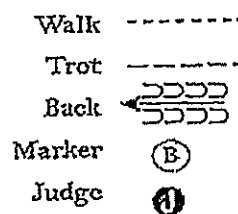
**2019 SCHS OPEN BREED SHOW SERIES – SHOW #4**  
**SHOWMANSHIP – 11&U; LEADLINE**  
**Classes 8, 14 and 17**

**September 8, 2019**



Be Ready at A

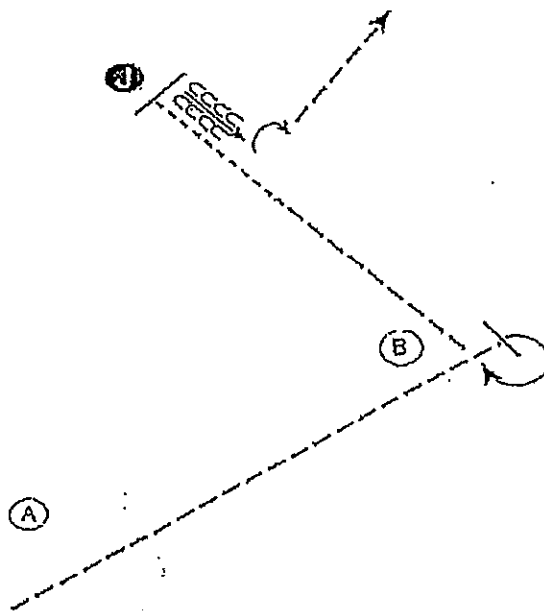
1. Trot past B and Stop
2. Perform a 270 degree turn
3. Walk to judge; set up for inspection
4. When dismissed back 4 steps
5. Do a 90 degree turn to walk to Exit



**LEADLINE – WALK THE ENTIRE PATTERN**

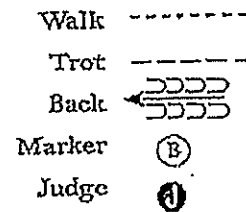
**2019 SCHS OPEN BREED SHOW SERIES – SHOW #4**  
**SHOWMANSHIP – LIMITED YOUTH/ADULT**  
**ENGLISH/WESTERN**  
**Classes 9, 10, 15 and 16**

**September 8, 2019**

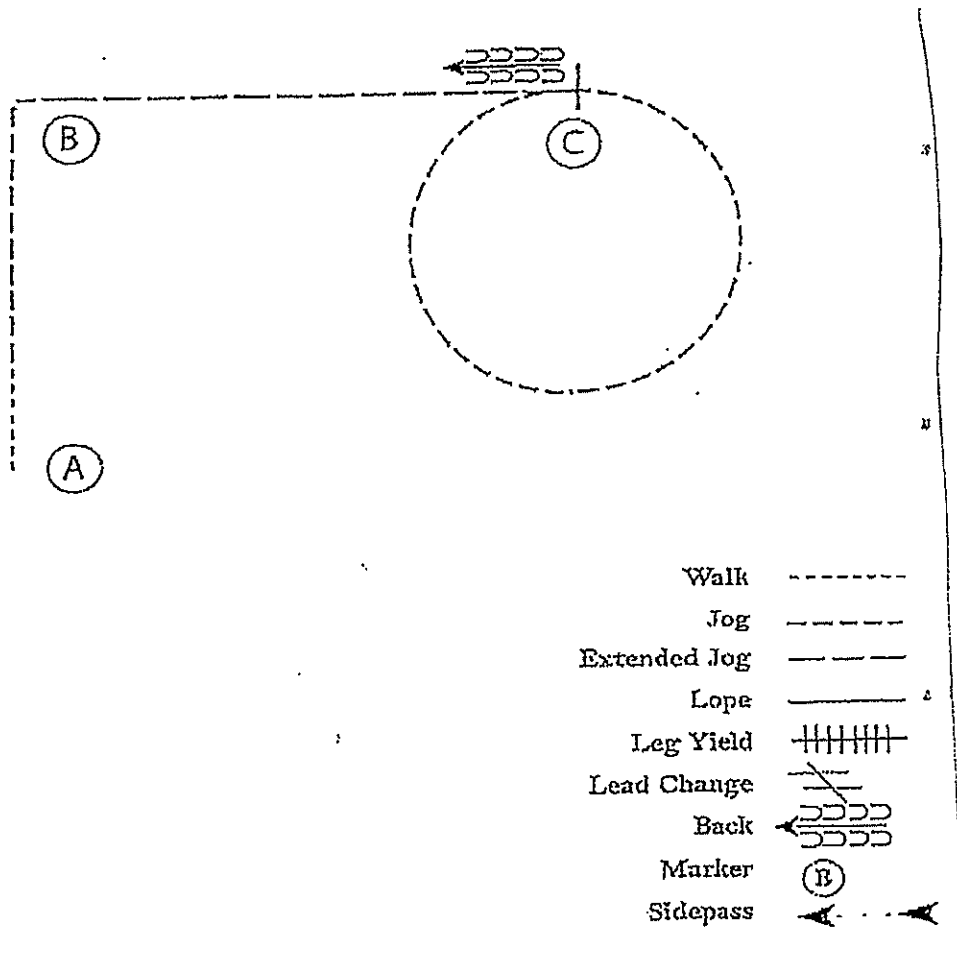


Be ready at A.

1. Trot past B and stop
  2. Perform a 270 degree turn
  3. Trot halfway to the Judge
  4. Break to the walk and walk to the Judge
  5. Stop and set up for inspection
  6. When dismissed back one horse length
  7. Perform a 90 degree turn and trot to the line-up
- Follow the instructions of your ring steward.



**2019 SCHS OPEN BREED SHOW SERIES – SHOW #4**  
**HORSEMANSHIP/EQUITATION - 11 & U**  
**ENGLISH/WESTERN**  
**Classes 20 and 38**



**Western**

Walk from A to and around B

Jog to C

At C perform and extended jog circle to right

Close circle and stop at C and back 4 steps

**English**

Walk from A to and around B

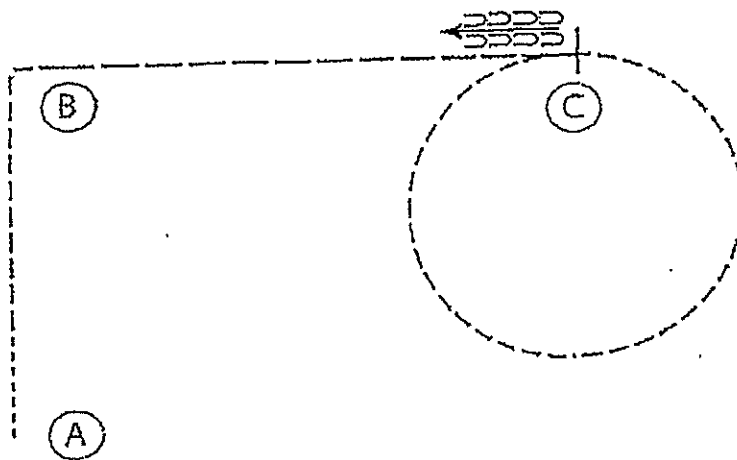
Sitting trot to C

At C perform and posting trot circle to right on left diagonal

Close circle and stop at C and back 4 steps

**2019 SCHS OPEN BREED SHOW SERIES – SHOW #4  
HORSEMANSHIP/EQUITATION – LIMITED YOUTH/ADULT  
ENGLISH/WESTERN  
Classes 22, 25, 40 and 43**

September 8, 2019



Be ready at A.

1. Walk approximately 2 horse lengths from A.
2. Jog to B. Jog a square corner around B.
3. Extend the jog to C.
4. Jog a circle at C.
5. Stop at C and back approximately one horse length.

Follow the instructions of your ring steward.

Walk	-----
Jog	-----
Extended Jog	-----
Lope	-----
Leg Yield	
Lead Change	—/—
Back	←←←←← ←←←←←
Marker	(B)
Sidepass	◀ . . . ▶

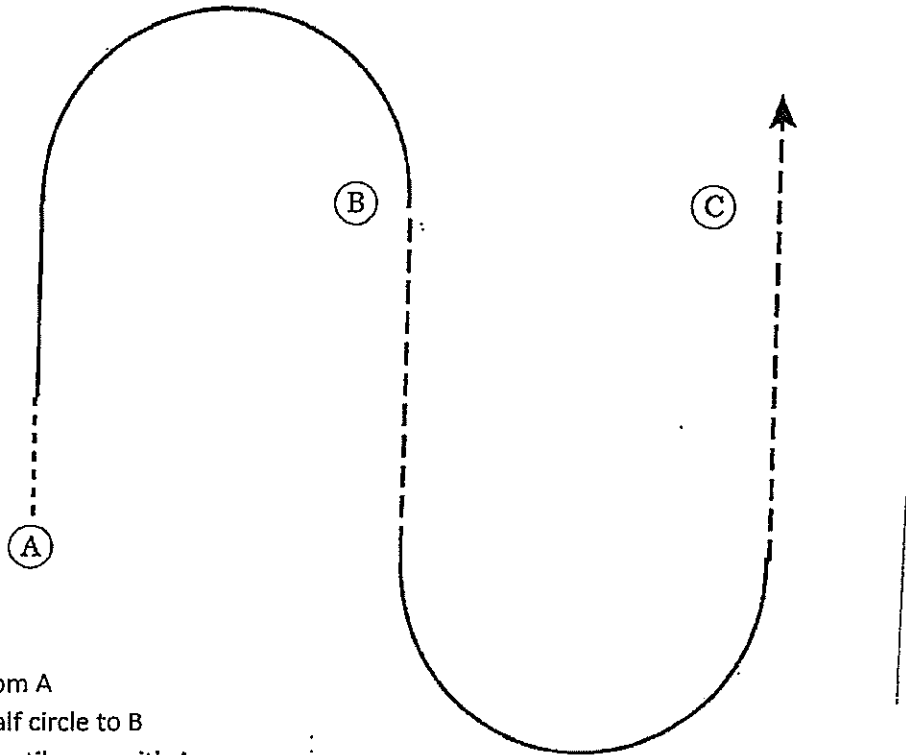
English Riders —

1. Walk approximately 2 horse lengths from A.
2. Sitting trot a square corner around B to C
3. Posting trot at C; circle to right back to C
4. Stop at C and back one horse length.

Follow instructions of your ring Steward

**2019 SCHS OPEN BREED SHOW SERIES – SHOW #4**  
**HORSEMANSHIP/EQUITATION – YOUTH 14&U and 15-18**  
**ENGLISH/WESTERN**  
**Classes 23, 24, 41 and 42**

September 8, 2019

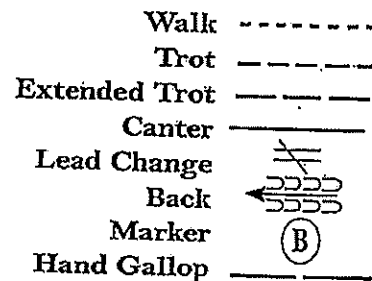


**English**

1. Walk two horse lengths from A
2. Canter on right lead in a half circle to B
3. Trot on the right diagonal until even with A
4. Canter a half circle to the left until even with A
5. Trot on the left diagonal to and past C
6. Pattern is over once you have passed C at the trot.

**Western**

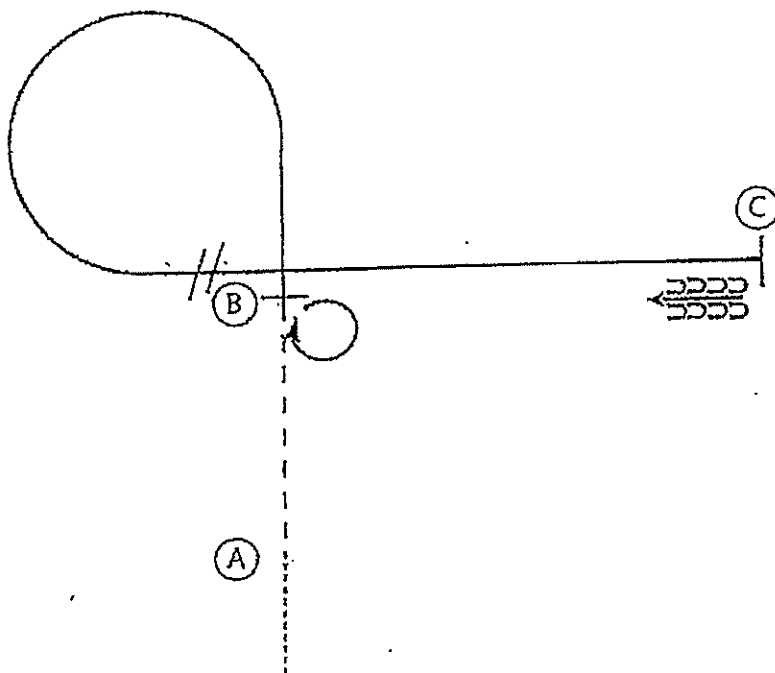
1. Walk two horse lengths from A
2. Lope on right lead in a half circle to B
3. Extended jog until even with A
4. Lope a half circle to the left until even with A
5. Extended jog on the left diagonal to and past C
6. Pattern is over once you have passed C at the extended jog.





**2019 SCHS OPEN BREED SHOW SERIES – SHOW #4**  
**HORSEMANSHIP/EQUITATION – ADULT**  
**ENGLISH/WESTERN**  
**Classes 26 and 44**

**September 8, 2019**



**Western Riders**

1. Walk to A
2. At A, jog to B
3. Stop at B and perform a 360 degree turn to the right
4. Lope a circle to the left
5. At B perform a lead change and continue to C
6. At C stop and back 4 steps

Walk	-----
Jog	- - - - -
Extended Jog	-----
Lope	=====
Leg Yield	
Lead Change	↔
Back	←←←← ←←←←
Marker	(B)
Sidepass	→←

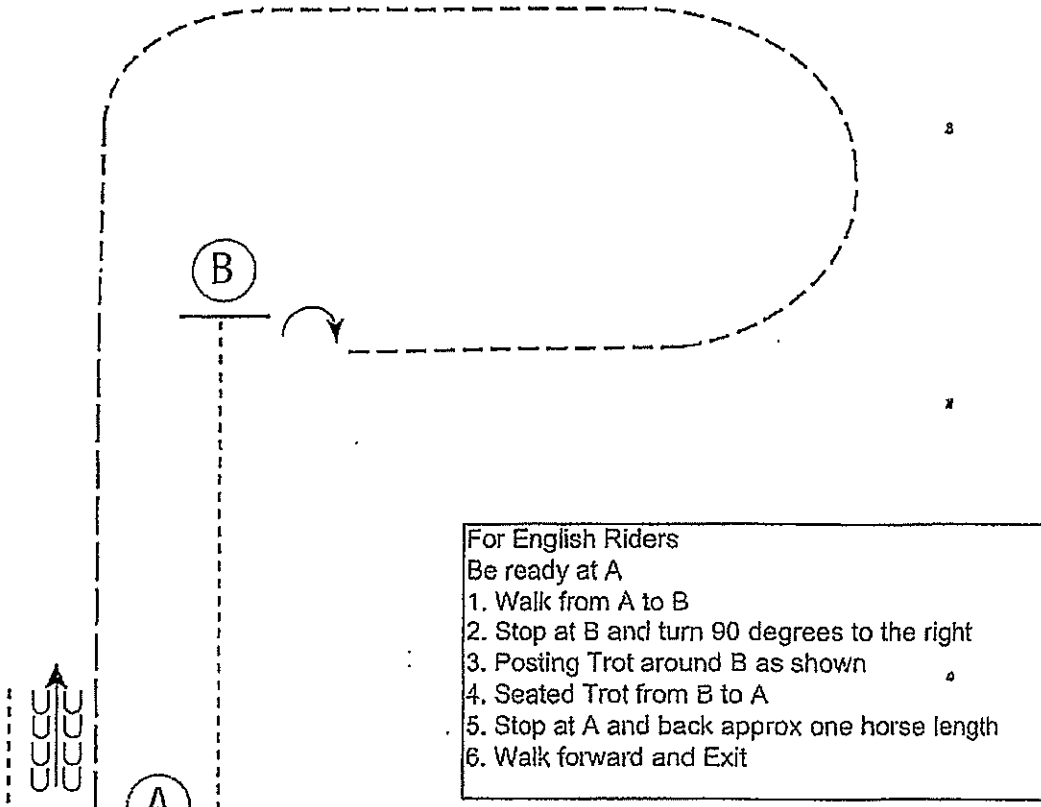
**English Riders –**

1. Walk to A
2. Sitting trot to B
3. Stop at B and perform 360 degree turn to right
4. Canter a circle to the left
5. At B perform a lead change to the left and continue to C
6. At C stop and back 4 steps

Follow instructions of your ring Steward

**2019 SCHS OPEN BREED SHOW SERIES – SHOW #4**  
**HORSEMANSHIP/EQUITATION – OPEN W/J/T**  
**ENGLISH/WESTERN**  
**Classes 27 and 45**

September 8, 2019



**For English Riders**  
 Be ready at A  
 1. Walk from A to B  
 2. Stop at B and turn 90 degrees to the right  
 3. Posting Trot around B as shown  
 4. Seated Trot from B to A  
 5. Stop at A and back approx one horse length  
 6. Walk forward and Exit

**Western Riders**

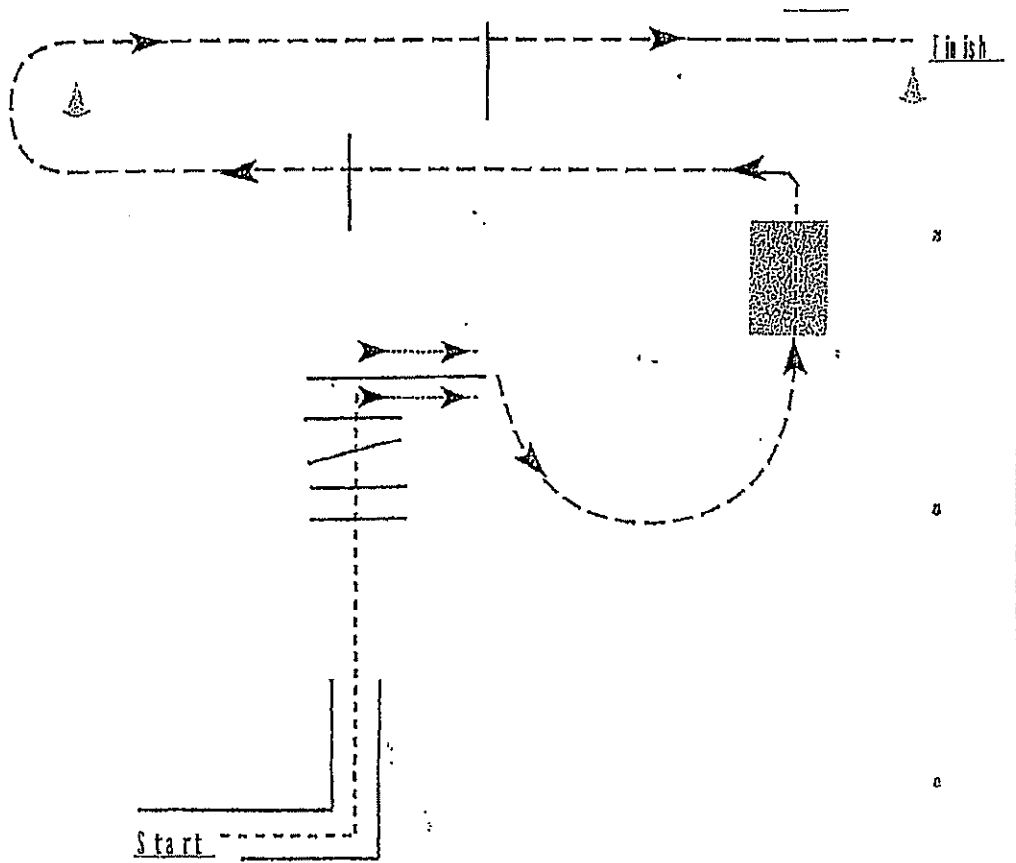
Be ready at A.

1. Walk from A to B.
2. Stop at B and turn 90 degrees to the right.
3. Jog around B as shown.
4. Extend the jog from B to A.
5. Stop at A and back approximately one horse length.
6. Walk forward and follow the instructions of your ring steward..

Walk	-----
Jog	-----
Extended Jog	-----
Lope	-----
Leg Yield	
Lead Change	↗ ↘
Back	←←←←
Marker	(B)
Sidepass	←-----→

**2019 SCHS OPEN BREED SHOW SERIES – SHOW #4**  
**TRAIL LIMITED YOUTH/ADULT; 11&U; LEADLINE**  
**ENGLISH/WESTERN**  
**Classes 55, 56, 58, 61, 63, 64 and 67**

**September 8, 2019**



1. Walk thru L
2. Walk over logs.
3. Sidepass final log to the right.
4. Jog to bridge. (English: Trot)
5. Walk over bridge.
6. Jog over pole, around cone, and over pole to finish (English: Trot)

Walk	-----
Jog	- - - - -
Extended Jog	-----
Lope	-----
Leg Yield	
Lead Change	↗
Back	←←←←←
Marker	(B)
Sidepass	←←←←←

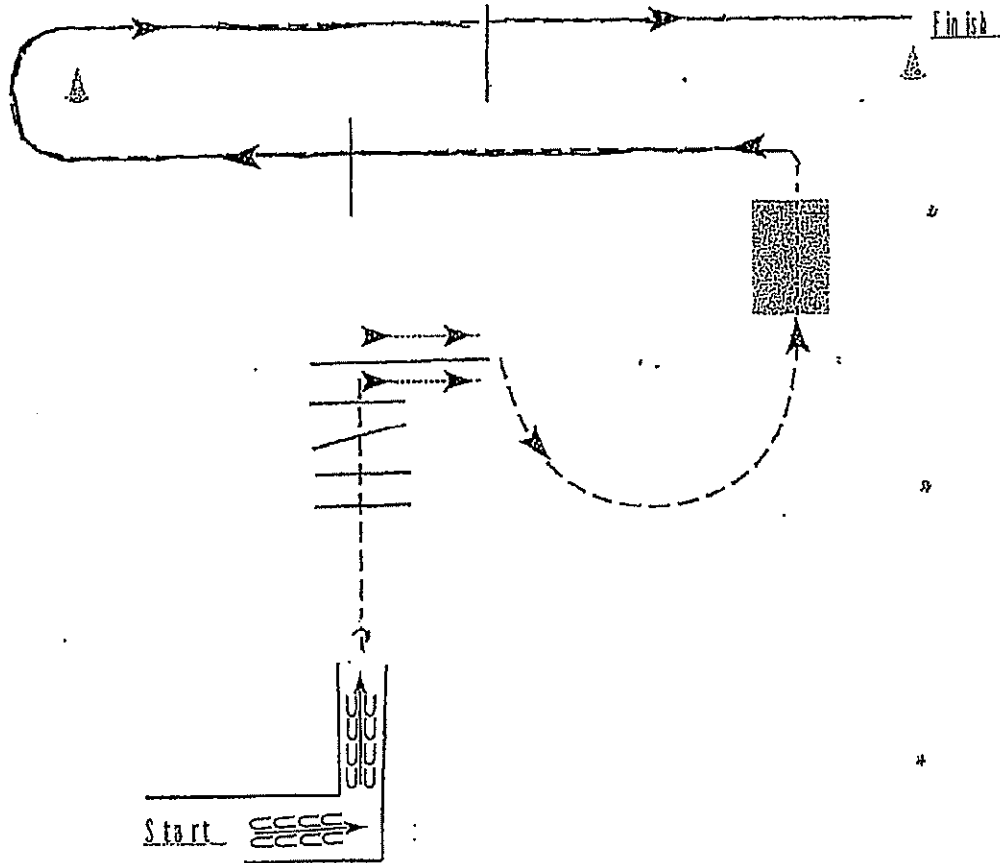
LEADLINE – WALKS THE ENTIRE PATTERN  
 ENGLISH – JOG TO BE SITTING TROT

2019 SCHS OPEN BREED SHOW SERIES – SHOW #4

TRAIL – YOUTH 14&U; 15-18

ENGLISH/WESTERN

Classes 59, 60, 65, and 66



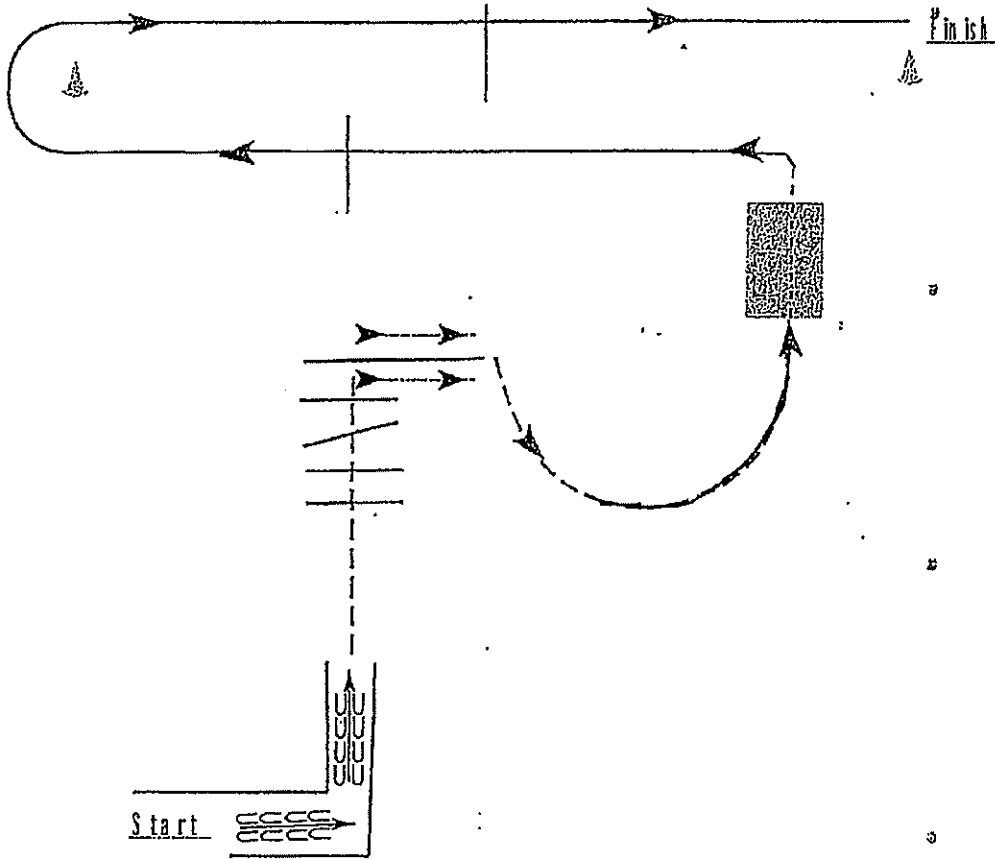
1. Back thru L
2. Turn 180 degrees (either direction) and
3. Jog over poles
4. Sidepass final pole to the right
5. Jog to bridge
6. Walk over bridge
7. Lope over pole, around cone and over pole to finish

Walk	-----
Jog	- - - - -
Extended Jog	- - - - -
Lope	----- 3
Leg Yield	
Lead Change	///
Back	← 3 3 3 3 3
Marker	(B)
Sidepass	-----→

ENGLISH – JOG TO BE SITTING TROT; LOPE TO BE CANTER

2019 SCHS OPEN BREED SHOW SERIES – SHOW #4

TRAIL – ADULT  
ENGLISH/WESTERN  
Classes 62 and 68



1. Back thru L
2. Turn 180 degrees (either direction) and jog over poles
3. Sidepass final pole to the right
4. Jog halfway to bridge then lope to bridge
5. Walk over bridge
6. Lope over pole, around cone and lope of pole to finish

Walk	-----
Jog	-----
Extended Jog	-----
Lope	-----
Leg Yield	
Lead Change	—/—
Back	←←←←
Marker	(B)
Sidepass	←→

ENGLISH – JOG TO BE SITTING TROT; LOPE TO BE CANTER

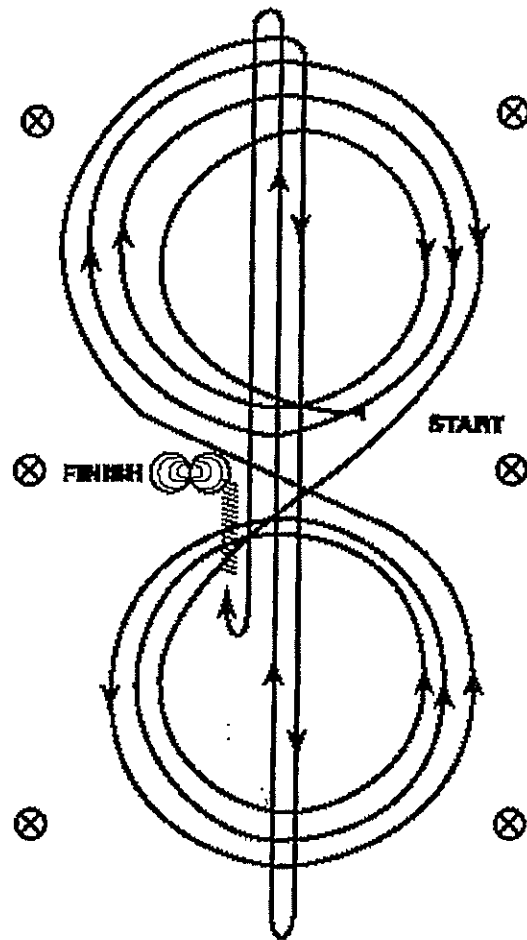
2019 SCHS OPEN BREED SHOW SERIES – SHOW #4

REINING

Classes 35, 36 and 37

September 8, 2019

REINING PATTERN 2



Horse must walk or stop prior to starting pattern.

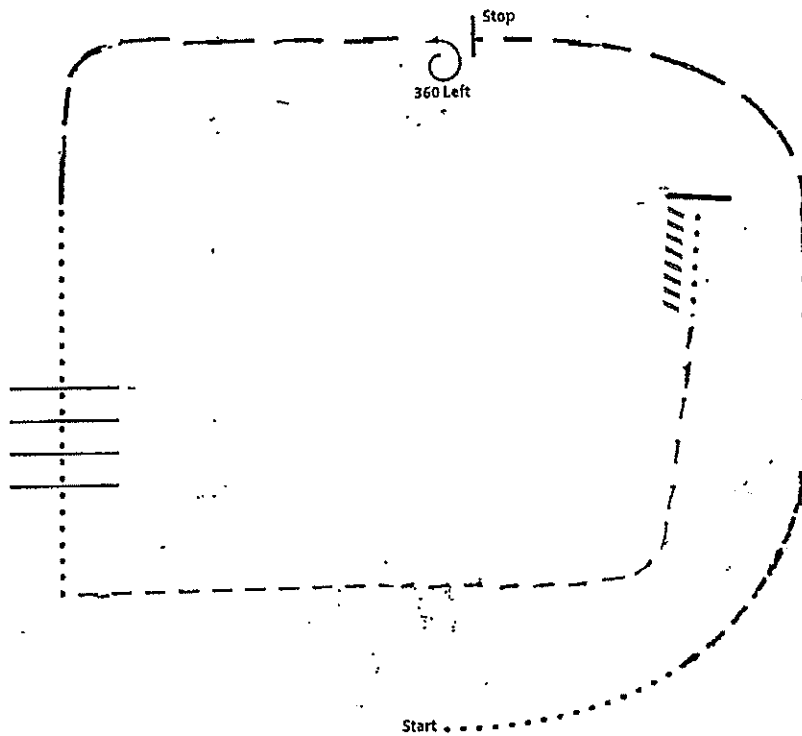
Beginning at the center of the arena facing the left wall or fence.

1. Beginning on the right lead, complete three circles to the right: the first circle small and slow; the next two circles large and fast. Change leads at the center of the arena.
2. Complete three circles to the left: the first circle small and slow; the next two circles large and fast. Change leads at the center of the arena.
3. Continue around previous circle to the right. At the top of the circle, run down the middle to the far end of the arena past the end marker and do a right rollback - no hesitation.
4. Run up the middle to the opposite end of the arena past the end marker and do a left rollback - no hesitation.
5. Run past the center marker and do a sliding stop. Back up to the center of the arena or at least 10 feet (3 meters). Hesitate.
6. Complete four spins to the right.
7. Complete four spins to the left. Hesitate to demonstrate the completion of the pattern.

Rider may drop bridle to the designated judge.

2019 SCHS OPEN BREED SHOW SERIES – SHOW #4  
RANCH HORSE PATTERN W/J  
Class 72

September 8, 2019

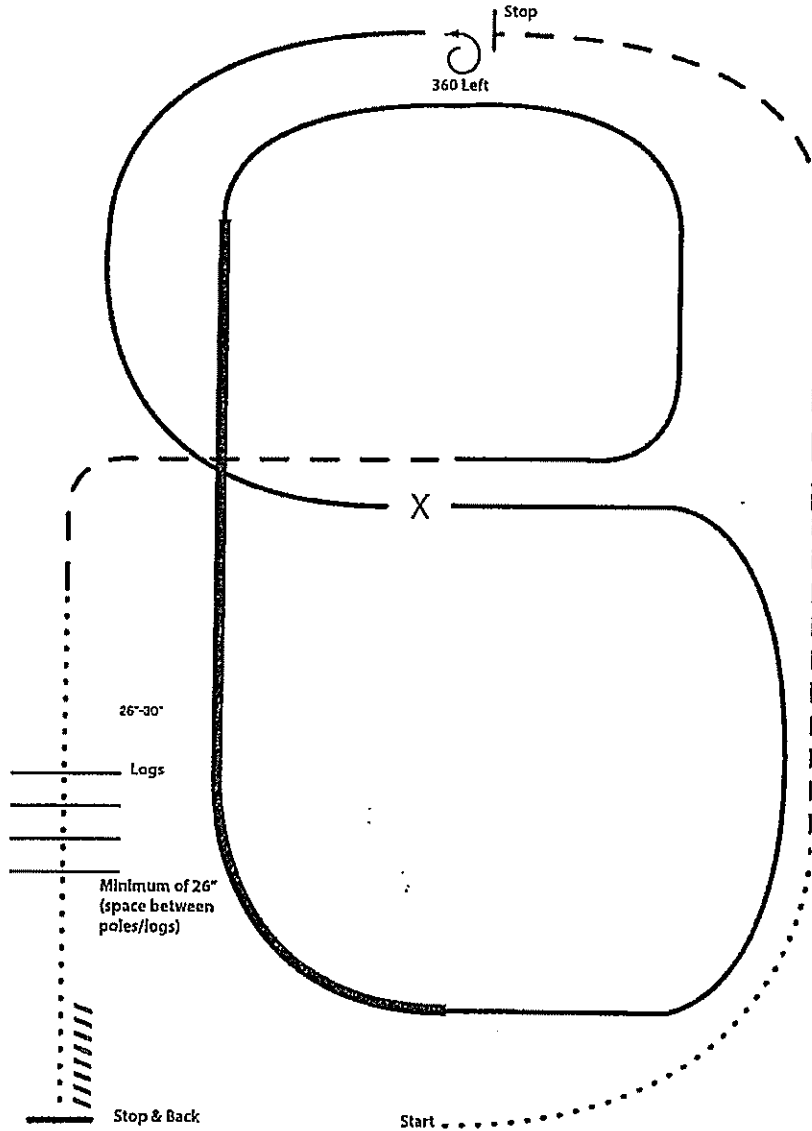


1. Walk
2. Jog
3. Extended Jog, to center of ring, stop
4. 360 degree turn to the left
5. Extended jog around corner halfway to poles
6. Walk to and over poles
7. Jog across arena and up side
8. Stop and back

..... Walk  
----- Jog  
————— Extended Jog  
///// Back

**2019 SCHS OPEN BREED SHOW SERIES – SHOW #4**  
**RANCH HORSE PATTERN W/J/L**  
**Class 73**

September 8, 2019



1. Walk
2. Trot
1. Extend the trot, at the top of the arena ,stop
1. 360 degree turn to the left
1. Left lead 1/2 circle, lope to the center
1. Change leads (simple or flying)
1. Right lead 1/2 circle
1. Extended lope up the long side of the arena (right lead)
1. Collect back to a lope around the top of the arena and back to center
1. Break down to an extended trot
1. Walk over logs
2. Stop and back

- X Lead Change
- Walk
- Trot
- Ext Trot
- Lope
- Ext Lope
- ////// Back



2019 SCHS OPEN BREED SHOW SERIES – SHOW #4

TRAIL – RANCH HORSE W/J AND W/J/L

CLASSES 53 AND 54

SEPTEMBER 28, 2019



All walk trot entries Extend trot where pattern calls for lope

